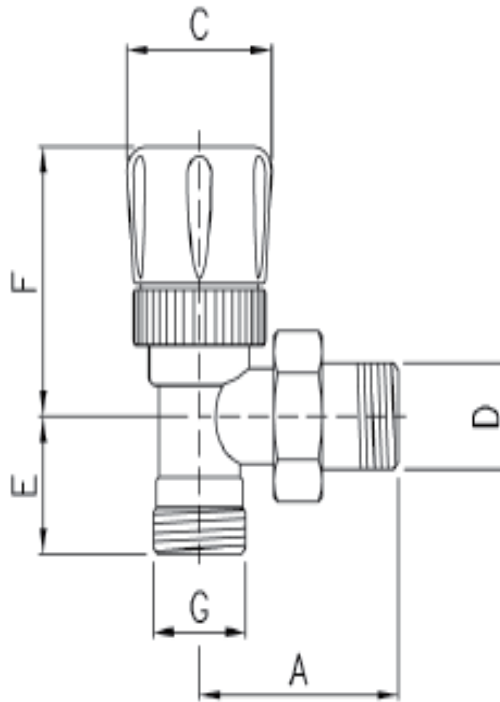


art.60



Valvola a squadra cromata termostattizzabile
attacco tubo rame e plastica

*Angle chrome plated radiator valve with thermostatic option -
connection copper and plastic pipe.*

D	A	C	E	F	G
3/8"	51	37	27	57	fil. 24x19
1/2"	54	37	27	57	fil. 24x19