

REMER

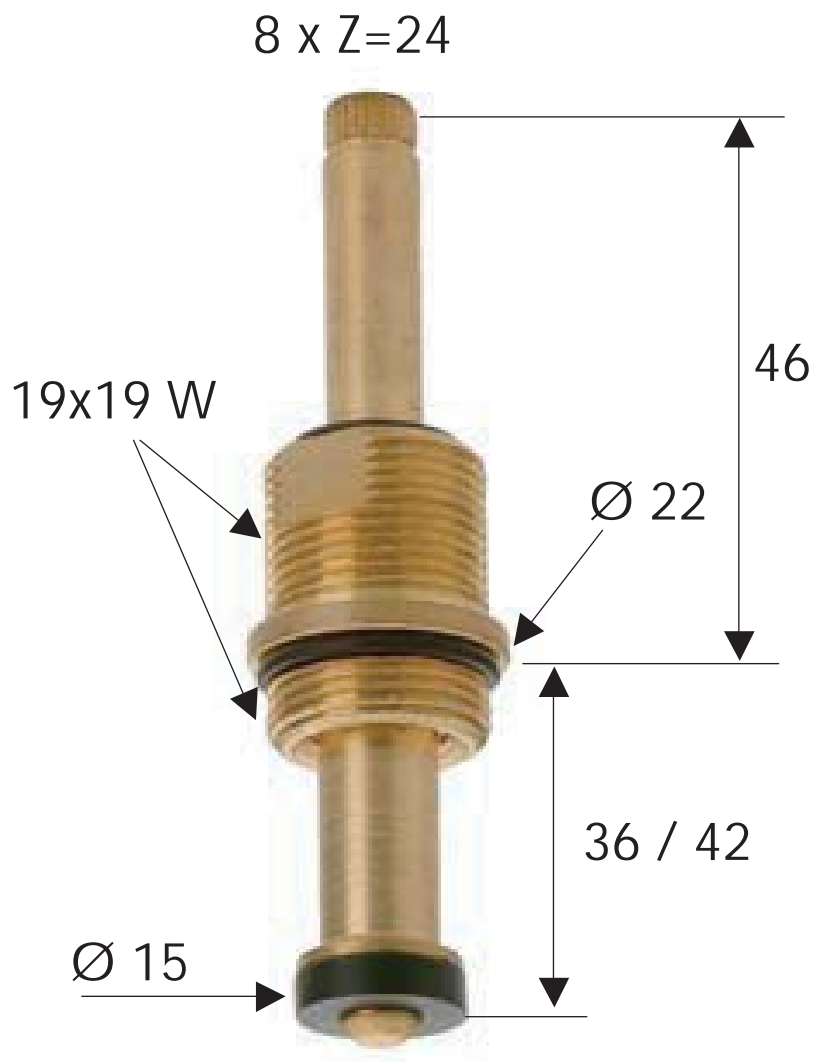
RUBINETTERIE

SCHEDA TECNICA

ART. COD.

TECHNICAL FEATURES

7719



MATERIALI / MATERIALS

OTTONE / BRASS CW614 N
NBR

CROMATURA / CHROME PLATING

UNI EN 248