

**REMER**

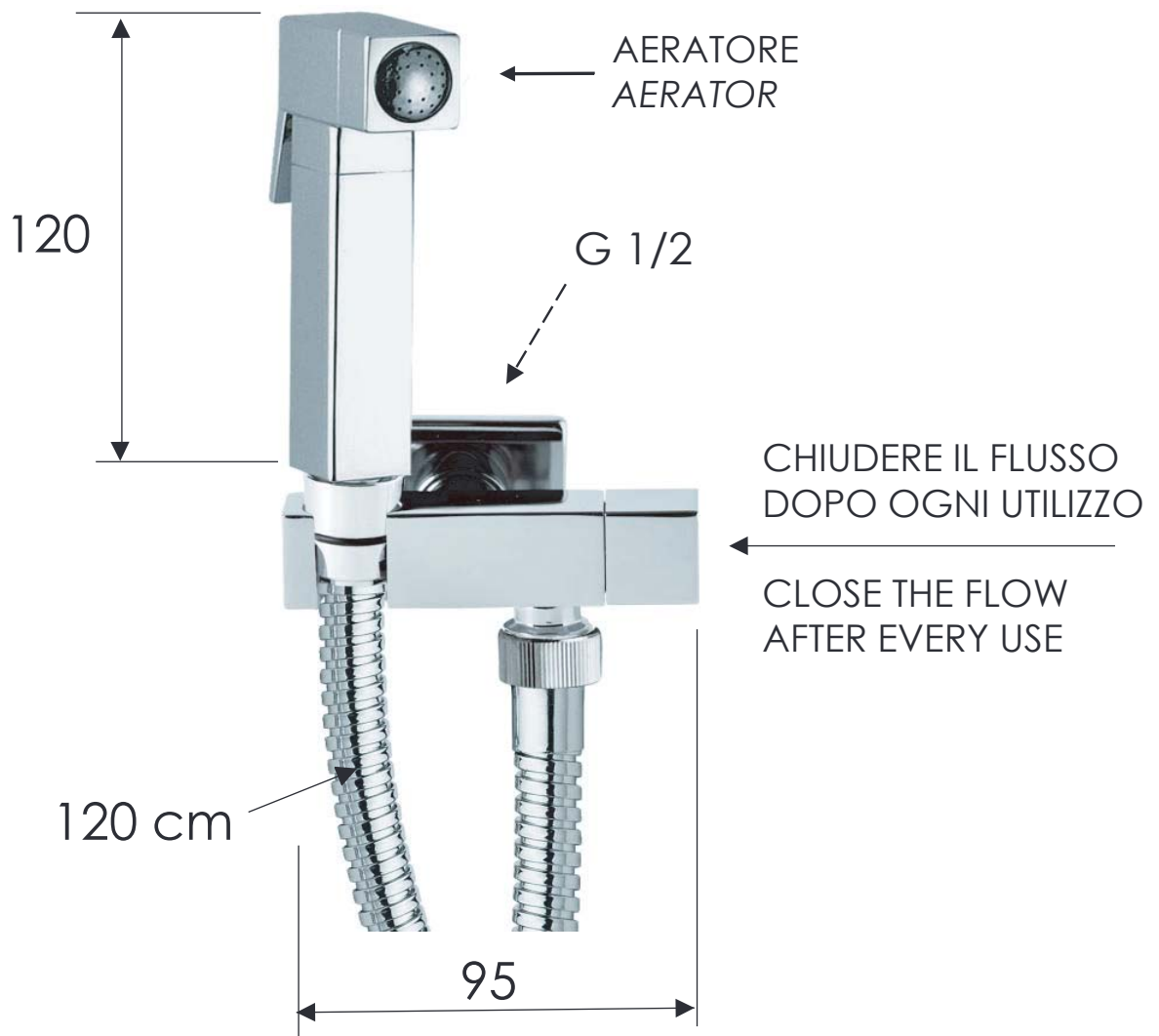
**SCHEDA TECNICA**

**TECHNICAL FEATURES**

**RUBINETTERIE**

ART. COD.

**332RES336**



**MATERIALI / MATERIALS**

OTTONE CROMATO / CHROME PLATED BRASS

**CROMATURA / CHROME PLATING**

UNI EN 248