



DS-CR12-01

Codice Dianflex: 433-S0483

## RACCORDI

*Tube connections*

ART. 0483

Raccordo per tubo multistrato.  
*Multilayer tube connection.*



0483



**PRESTAZIONI**

Fluidi d'impiego	Acqua, soluzioni glicolate
Percentuale di glicole max	30%
Max pressione d'esercizio	10 bar
Max Temp. d'esercizio	100°C

**MATERIALI**

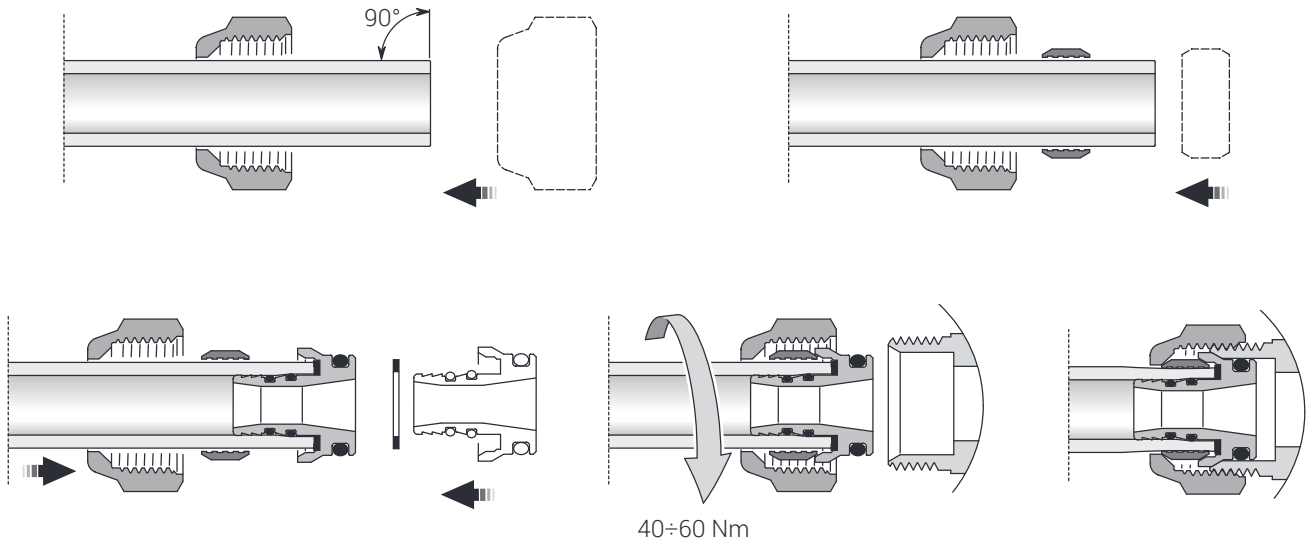
Calotta	Ottone stampato: CW617N - UNI EN 12165
Componenti interni	Ottone trafilato: CW614N - UNI EN 12164
Ogiva (solo per art. 0280)	PTFE
Elementi di tenuta	Gomma EPDM PEROX

**PERFORMANCE**

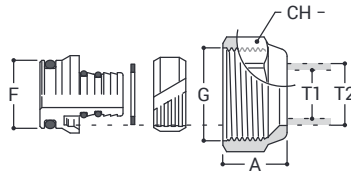
<i>Employed fluids</i>	<i>Water, antifreeze solutions</i>
<i>Max. percentage of glycol</i>	<i>30%</i>
<i>Max working pressure</i>	<i>10 bar</i>
<i>Max working temperature</i>	<i>100°C</i>

**MATERIALS**

<i>Nut</i>	<i>Pressed brass: CW617N UNI EN 12165</i>
<i>Inside components</i>	<i>Extruded brass: CW614N UNI EN 12164</i>
<i>Olive (only for art. 0280)</i>	<i>PTFE</i>
<i>Seal elements</i>	<i>EPDM PEROX rubber</i>



0483



G	F	T1	T2	A	CH
1/2"	16	9,5/10	14	15	24
1/2"	16	11,5/12	16	15	24
24x19	18	7,5/8	12	17	27
24x19	18	9,5/10	14	17	27
24x19	18	9,5/10	15	17	27
24x19	18	10,5/11	15	17	27
24x19	18	10,5/11	16	17	27
24x19	18	11,5/12	16	17	27
24x19	18	11,5/12	17	17	27
24x19	18	12,5/13	17	17	27
24x19	18	12,5/13	18	17	27
24x19	18	13,5/14	18	17	27
24x19	18	14,5/15	20	17	27
24x19	18	15/15,5	20	17	27
24x19	18	15,5/16	20	17	27