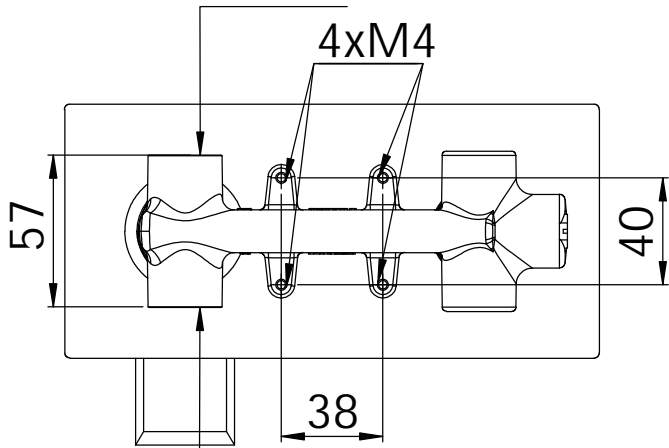


ENTRATA ACQUA FREDDA
COLD WATER INLET
G 1/2"



ENTRATA ACQUA CALDA
HOTWATER INLET
G 1/2"

