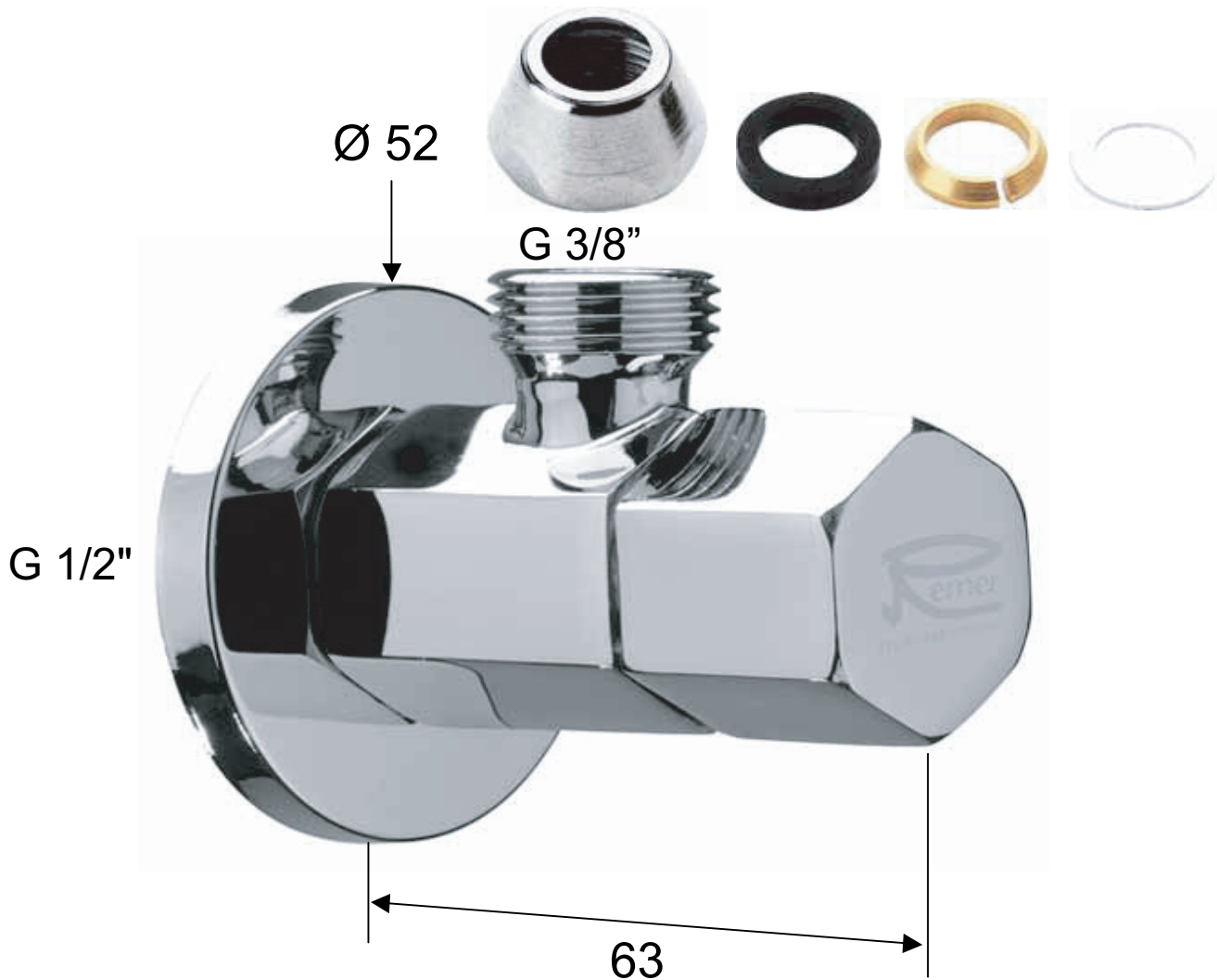


ART. COD.

128 E 1/2x10

TUBO Ø10mm
TUBE Ø10mm



MATERIALI / MATERIALS

OTTONE CROMATO / CHROME PLATED BRASS

CROMATURA / CHROME PLATING

UNI EN 248