



FRABO

Codice Dianflex: 302-FRS9001

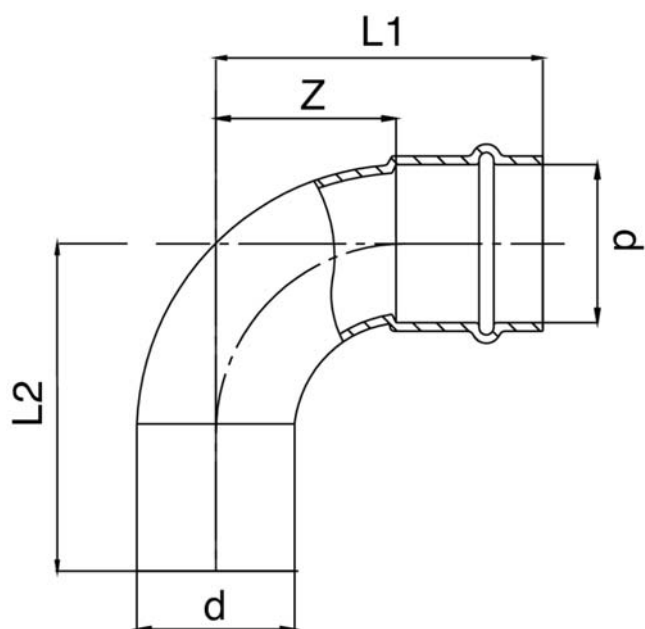
frabo
press
KOMBI

BREVETTATO

mina.



Specifiche tecniche



D	BAG	MASTER BOX	CODICE	L1	L2	Z
12	10	300	RS9001012012000	33	34	15
15	10	200	RS9001015015000	40	42	18
18	10	150	RS9001018018000	45	47	22
22	10	80	RS9001022022000	51	52	27
28	5	40	RS9001028028000	59	61	34
35	5	30	RS9001035035000	68	70	42

Applicazioni



DRINKING
WATER



HEATING



HVAC



GAS



COMPRESSED
AIR



FIREFIGHTING