

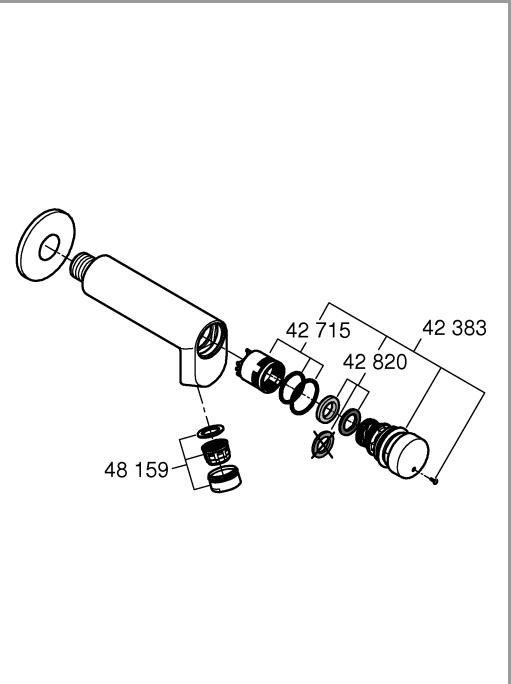
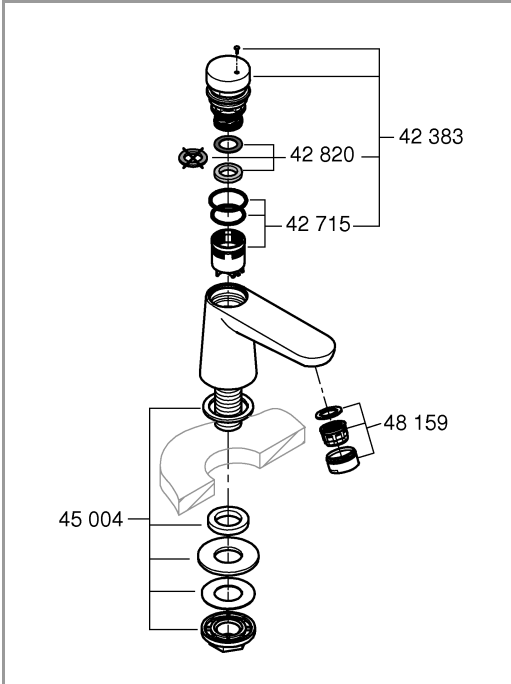
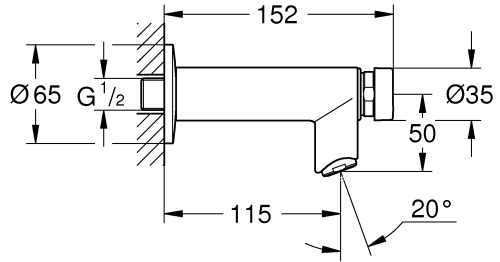
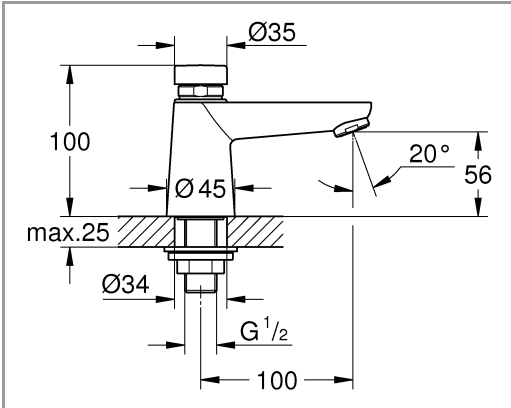
Codice Dianflex: 273-H36265

DESIGN + ENGINEERING
GROHE GERMANY

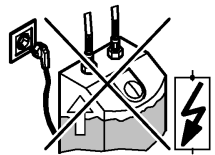
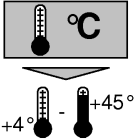
Pure Freude
an Wasser

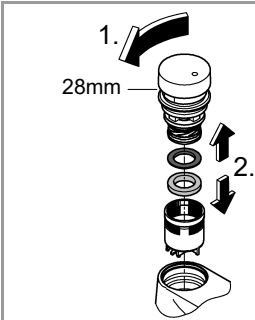
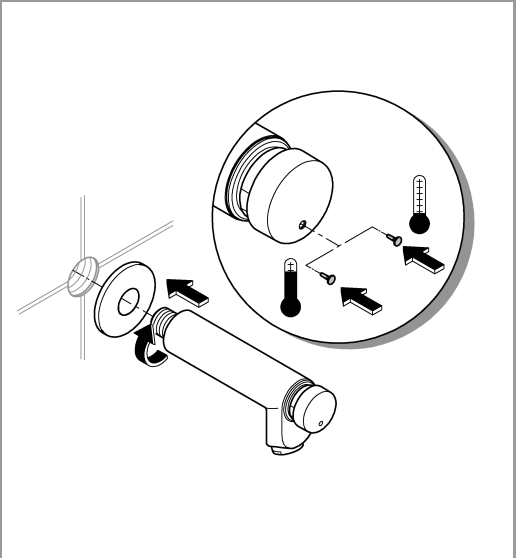
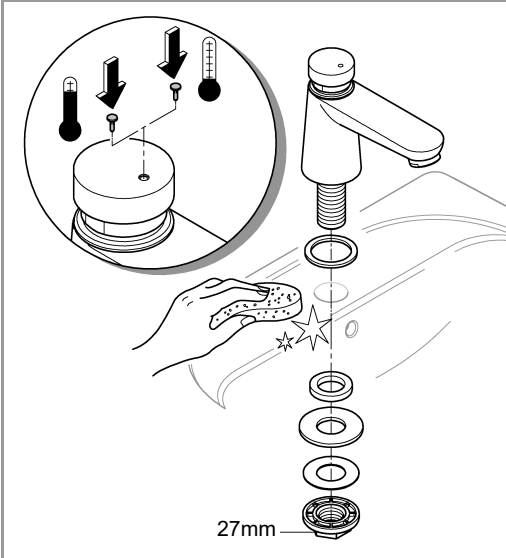
GROHE

Rev. Dianflex: 01/2025



DIN 1988
DIN EN 806





		ca. 7sec
		ca. 15sec
		ca. 30sec

