

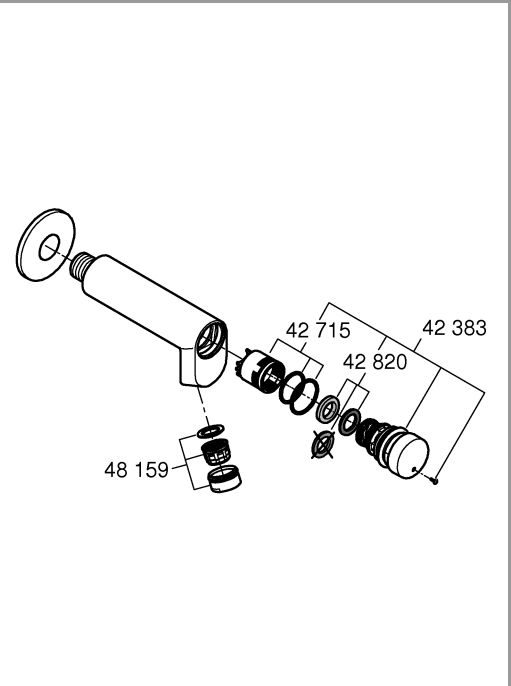
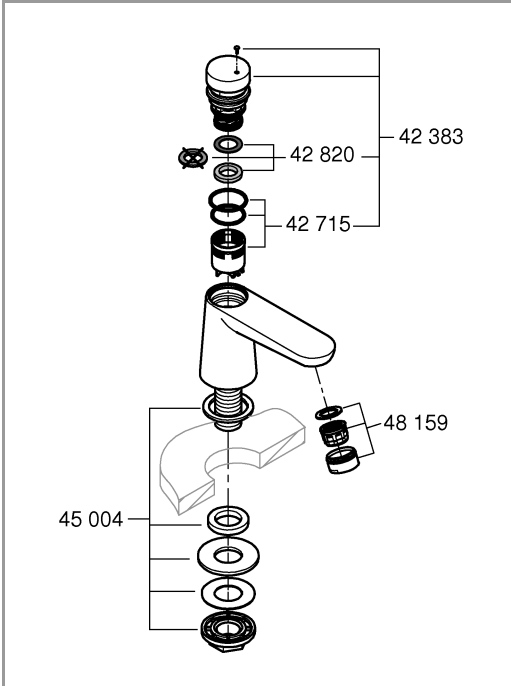
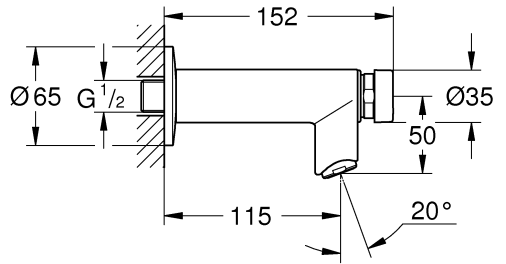
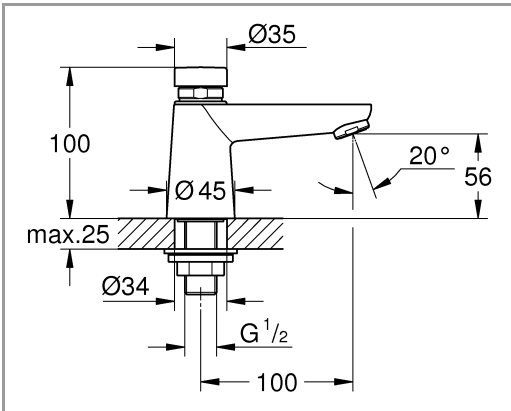
# Codice Dianflex: 273-H36266

DESIGN + ENGINEERING  
GROHE GERMANY

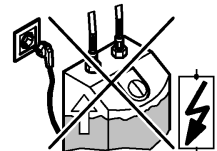
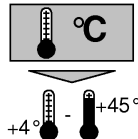
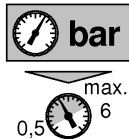
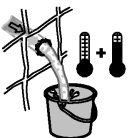
Pure Freude  
an Wasser

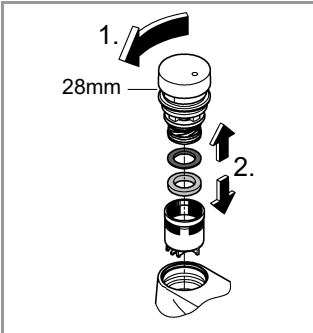
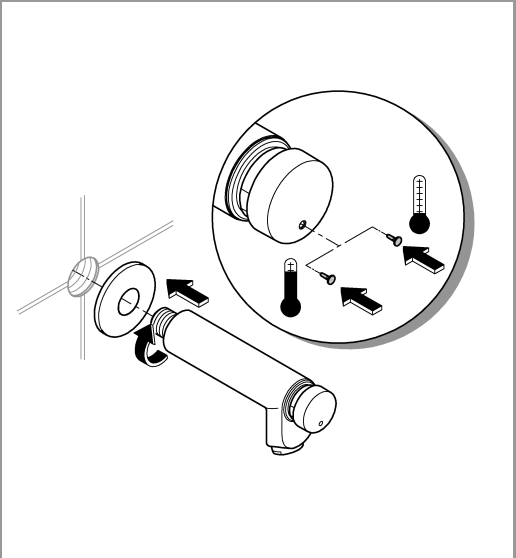
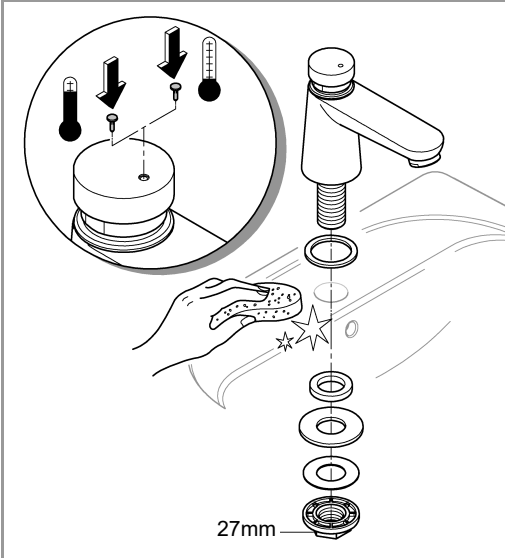
GROHE

Rev. Dianflex: 01/2025



DIN  
1988  
DIN  
EN  
806





			ca. 7sec
			ca. 15sec
			ca. 30sec

